

ECN	REV	DESCRIPTION	DATE	APPROVED

1. 芯数/NO. of contacts

系列/Series	303	304	305	306	308	312	317
孔位排列/Pin Number							
适配线缆/Conductor size	22AWG	22AWG	22AWG	24AWG	24AWG	26AWG	26AWG
导体直径/Pin size	1.0mm	1.0mm	1.0mm	0.8mm	0.8mm	0.6mm	0.6mm
额定电流/Rated current	4A	4A	4A	2A	2A	1A	1A
额定电压/Rated voltage	250V	250V	60V	30V	30V	30V	30V

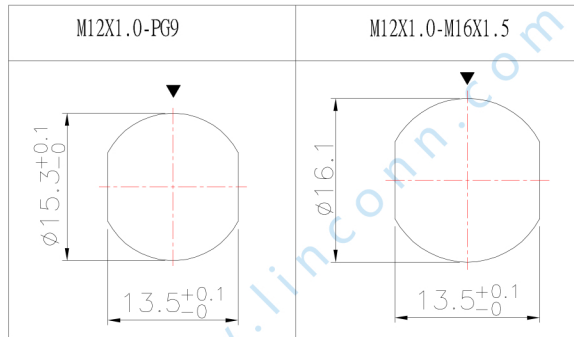
2. 绝缘体型号/Insulator Coded

Coded	A	B	D
型号			

3. 编码原则/Part Number

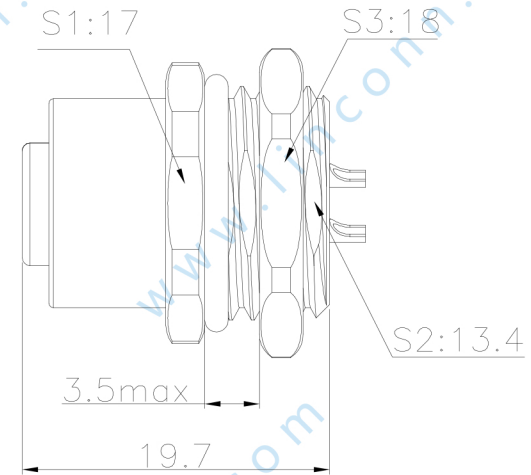
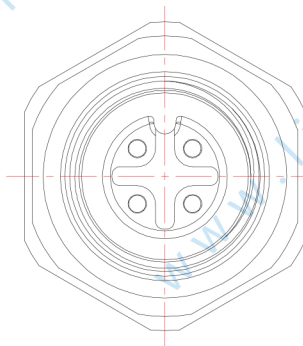
固定式插座/Fixed socket M12E 7 304 A F L L G1
 主型号/Type _____
 面板孔/Panel Cut-Out: 7--PG9
 8--M16X1.5
 针数/Pin Number _____
 绝缘体型号/Insulator coded:A、B、D
 绝缘体类型/Insulator type:F=Female
 针类型/Sold Type:L=Turning
 针长度/Pin Length:S=Short、L=Long
 表面处理/Plating:Gold Flash

4. 面板开孔/RECOMMENDED PANEL CUT-OUT



5. 技术特性/Technical Characteristics

1. 寿命/Durability: >500 mate/unmate cycles
2. Pin接触电阻/ Pin Contact Resistance: ≤10 mΩ
3. 绝缘电阻/Insulation Resistance: ≥ 100 MΩ
4. 温度等级/Rated Temperature: -25° C,+80° C
5. 盐雾/Corrosion Resistance: Salt spray test,>48h
6. 防水等级/Waterproof: IP67



5	六角螺母/Hexagonal nut: 黄铜镀镍/Brass,Nickel plated
4	母针芯/PIN: 磷铜镀金/Phosphor copper,G/F
3	外壳/Outer Shell: 黄铜镀镍/Brass,Nickel plated
2	密封圈/O-RING: Rubber
1	绝缘体/Insulator: PA BLACK

	SCALE	TOLERANCES ARE: DECIMALES		TITLE:
	F	ANGLES		
SHEET	DIMENSION	APPROVALS	DATE	PART NO.
1 OF 1	MM	APPROVED:		M12E7304AFLLG1
DWG NO.	REV.	CHECKED:		REV.
M12E	A0	CHECKED:		*
		DRAWN:	S.peng	
			03/24/2014	

LINCONN Linconn Etc Tech Co.,LTD

序号/ITEM	名称 & 规格/Name & Description
---------	----------------------------